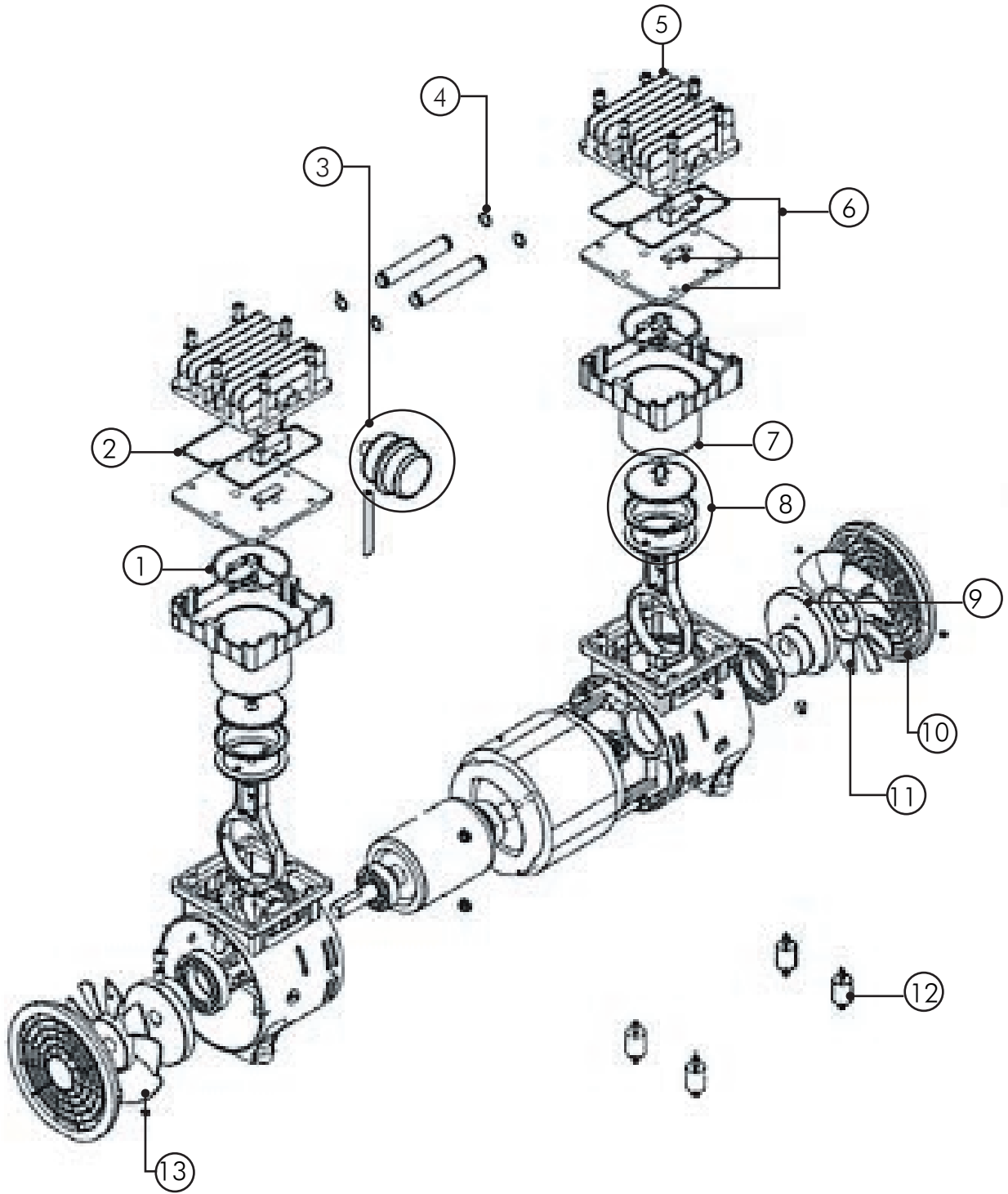

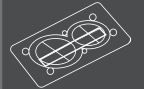


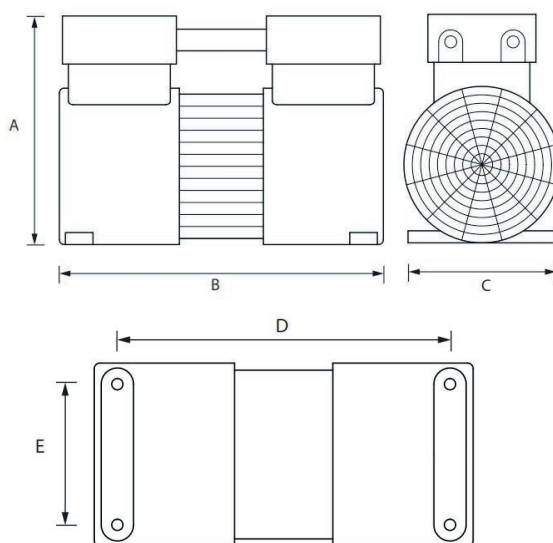
1.100.15



| REF. | DESCRIPCIÓN | CODIGO | Nº PIEZAS |
|------|--|-----------|-----------|
| 1 | ES- JUNTA CILINDRO-PLACA CDS-1.100 EN- OR RING CDS-1.100 FR- JOINT DE PLAQUE CYLINDRIQUE CDS-1.100 AL- ZYLINDERPLATTENDICHTUNG CDS-1.100 | 6.102.423 | 2 |
| 2 | ES- JUNTA PLACA -CILINDRO CDS-1.100 EN- GASKET HEAD 1.100 FR- PLAQUE DE JOINT - CYLINDRE CDS-1.100 AL- DICHTUNGSPLETTE-ZYLINDER CDS-1.100 | 6.102.425 | 2 |
| 3 | ES- FILTRO EN- FILTER FR- FILTRE AL- FILTER | 2.300.102 | 2 |
| 4 | ES- JUNTA EN- GASKET FR- CONSEIL AL- PLANKE | 6.102.427 | 4 |
| 5 | ES- CULATA CDS-1.100 EN- HEAD 1.100 FR- CULASSE CDS-1.100 AL- CDS-1.100 ZYLINDERKOPF | 6.102.407 | 2 |
| 6 | ES- KIT PLACA CDS-1.100 EN- PLATE VALVE KIT 1.100 FR- KIT DE PLAQUES CDS-1.100 AL- PLATTENBAUSATZ CDS-1.100 | 6.102.409 | 2 |
| 7 | ES- CILINDRO CDS-1.100 EN- CILINDRE 1.100 FR- CYLINDRE CDS-1.100 AL- ZYLINDER CDS-1.100 | 6.102.411 | 2 |
| 8 | ES- KIT PISTON CDS-1.100 EN- PISTON-BILEA Kit 1.100 FR- KIT DE PISTONS CDS-1.100 AL- KOLBENSATZ CDS-1.100 | 6.105.413 | 2 |
| 9 | ES- CIGUENAL CDS-1.100 EN- CIGUENAL 1.100. FR- CIGUENAL CDS-1.100 AL- KURBELWELLE CDS-1.100 | 6.102.415 | 2 |
| 10 | ES- TAPA DE VENTILADOR CDS-1.100 EN- FAN COVER 1.100. FR- COUVERCLE DU VENTILATEUR CDS-1.100 AL- LÜFTERABDECKUNG CDS-1.100 | 6.102.417 | 2 |
| 11 | ES- VENTILADOR Dcha CDS-1.100 EN- FAN RIGHT 1.100. FR- VENTILATEUR DROIT CDS-1.100 AL- RECHTS LÜFTER CDS-1.100 | 6.102.418 | 1 |
| 12 | ES- AMORTIGUADOR CDS-1.100 EN- SLINT BLOCK 1.100 FR- AMORTISSEUR CDS-1.100 AL- STOßDÄMPFER CDS-1.100 | 6.102.421 | 4 |
| 13 | ES- VENTILADOR Izq CDS-1.100 EN- FAN LEFT 1.100 FR- VENTILATEUR GAUCHE CDS-1.100 AL- LINKES GEBLÄSE CDS-1.100 | 6.102.419 | 1 |
| 14 | ES- CONDENSADOR EN- CAPACITOR FR- CONDENSEUR AL- KONDENSATOR | 6.102.435 | 1 |

PLAN DE MANTENIMIENTO:

| | REVISION | CAMBIO | COD. |
|--|----------|----------|-----------|
|  | 50 Hrs. | 200 Hrs. | 2.300.102 |
|  | / | 400 Hrs. | 6.102.409 |

COTAS CABEZAL CDS-1100

PESO 17,5 kg

DIMENSIONES

| A | B | C | D | E |
|-----|-----|-----|-----|-----|
| 290 | 330 | 150 | 240 | 125 |